

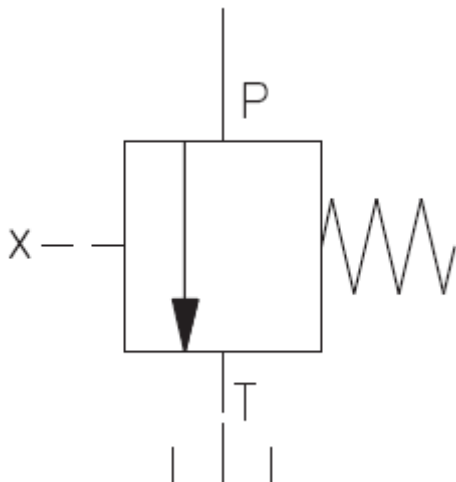
# PRESSURE RELIEF VALVE MODULE

20305

EDU-LABS



- Pressure Range : 0~120 kgF/cm<sup>2</sup>
- Operating Pressure : 60 kgF/cm<sup>2</sup>
- Manual Regulating
- All Port complete With Quick coupling Fitting
- Mounting bracket With Plug Board Pin (6 Nos)



**ALL PRODUCT, PRODUCT SPECIFICATIONS AND DATA ARE SUBJECT TO CHANGE WITHOUT NOTICE TO IMPROVE RELIABILITY, FUNCTION OR DESIGN OR OTHERWISE.**